

CZ100-A/B

ATEX Certified EXPLOSION PROOF CCTV CAMERA HOUSING FOR HAZARDOUS AREA

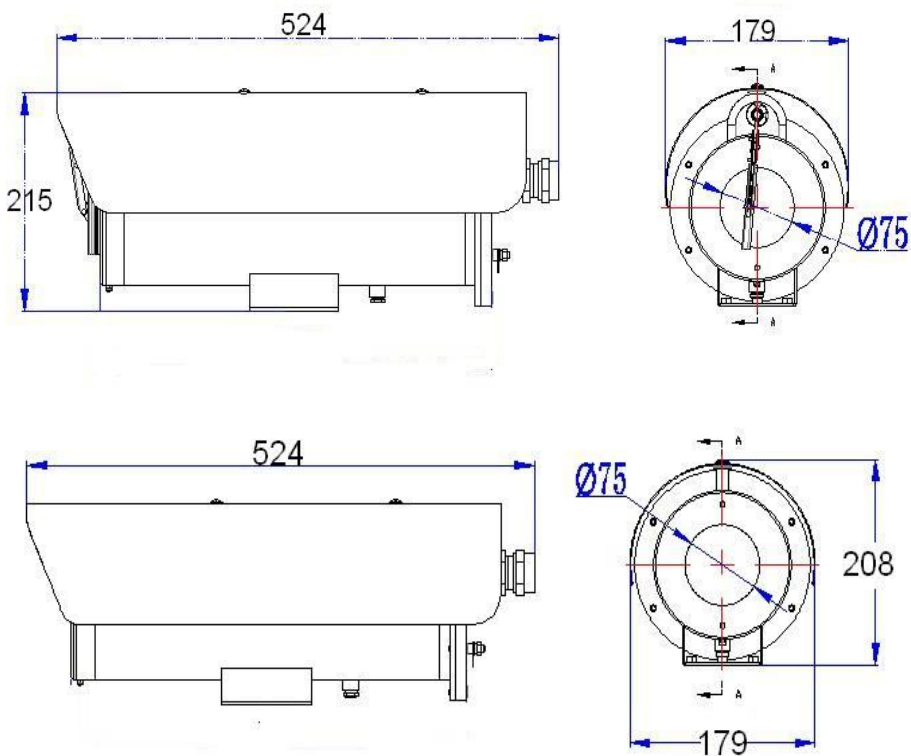
MAIN FEATURES



- Stainless steel 304 or 316L material
- Enclosure Protection: IP68 (1.2m/45min)
ATEX, IECEx, CE certified
- Applicable for Zone 1 and Zone 2 hazardous areas that explosive mixture of group IIA, IIB, IIC, T1~T6 gases, vapors and air may exist,
Zone 21 and Zone 22 hazardous areas that explosive dust may exist
- Voltage input: AC100~240V, or AC24V
- Ambient temperature: -40 °C ~ +60 °C
- CZ100-A with wiper system
- CZ100-B without wiper system



CZ100-A

DRAWINGS



Model	CZ100-A	CZ100-B
Atmospheric pressure	80KPa~110Kpa	
Ambient Temperature	-40°C~+60°C	
Relative Humidity	≤95% (+25°C)	
Ex-proof mark	 II 2G Ex db II C T6 Gb,  II 2D Ex tb IIIC T80 °C Db	
Certified	ATEX, IECEx, CE	
Standards	EN60079-0: 2012+A11: 2013, EN60079-1: 2014, EN60079-31: 2014 IEC60079-0: 2011, IEC60079-1: 2014, IEC60079-31: 2013	
Hazardous Area	zone 1, 2 (IIA, IIB, IIC, T1~T6 gases, vapors and air may exist) zone 20, 21 (explosive dust may exist)	
Ingress Protection	IP68 (1.2m/45min)	
Voltage Input	AC100-240V, or AC24V 50/60Hz	
Overall dimension	524*179*215mm	524*179*208mm
Net weight	16kg	15kg
Housing Material	Stainless Steel 304/ 316L	
Auto-heating	optional	optional
Auto-cooling	optional	optional
Wiper	yes	no
Wiper Control	RS485	-
Sunshield	Yes	optional
Camera	all kinds of box camera, zoom camera,	
Mounted	wall mounted bracket	

Accessories:


ZAZ100B wall bracket



ZAZ100W mount adapter



CZ300 Ex box

